

Copyright 2018  
 Guillot Vivian Viehmann  
 Architects, Inc.  
 All rights reserved.

Ownership of Documents  
 This document and the ideas and designs incorporated herein, as an instrument of professional service, is the property of Guillot Vivian Viehmann Architects, Inc. and is not to be used, in whole or in part, for this or for any other project without the written authorization.

NOTES:

**Jerusalem Schoolhouse & #2 Fire Station**  
 Jerusalem Road, Starksboro, Vermont  
 GUILLOT VIVIAN VIEHMANN ARCHITECTS, INC. Burlington, VT 802-862-9631

DATE: 16 SEP 19  
 REVISION: 00/00/00

SCALE: 1"=10'

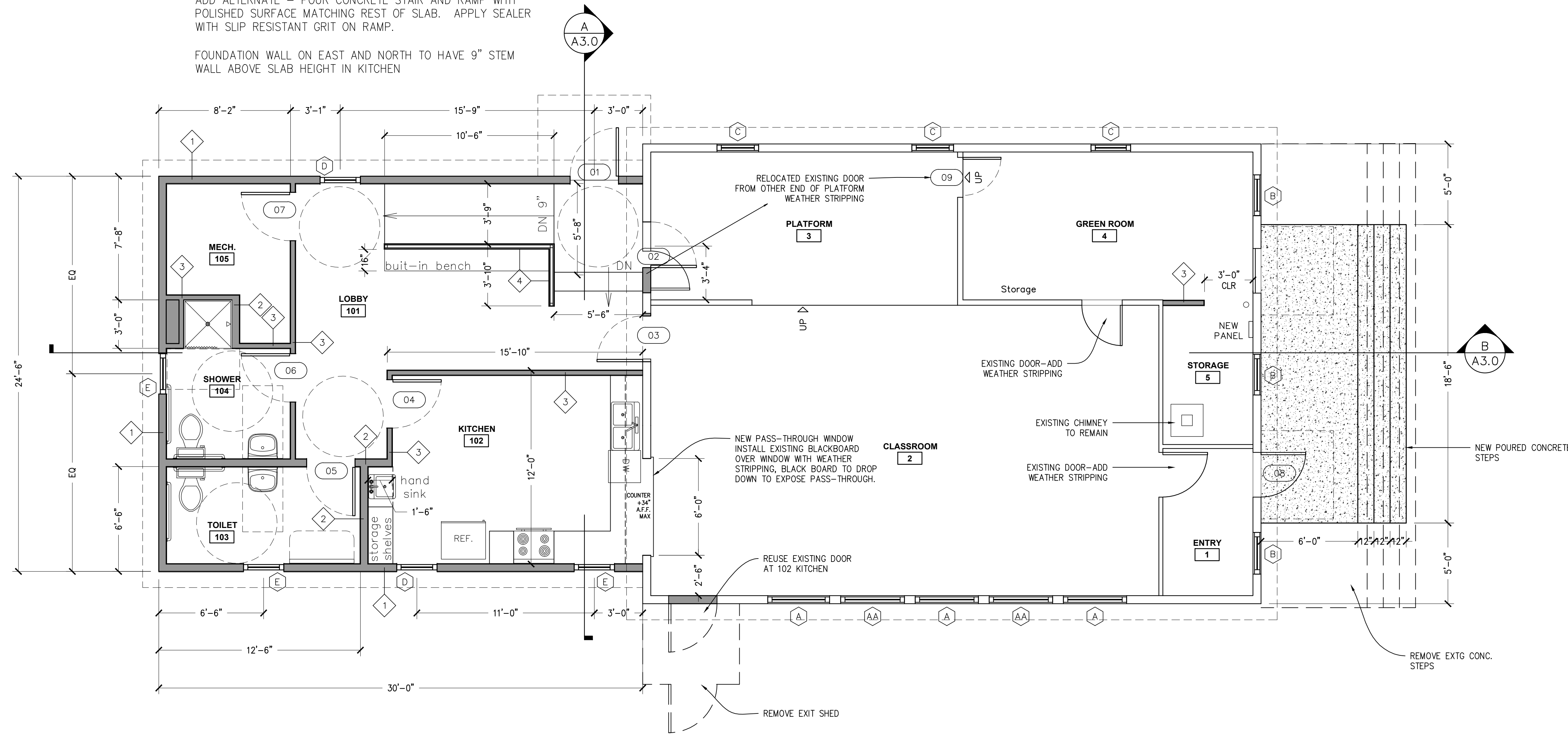
DRAWING: ARCHITECTURAL SITE PLAN

SHEET: A0.1

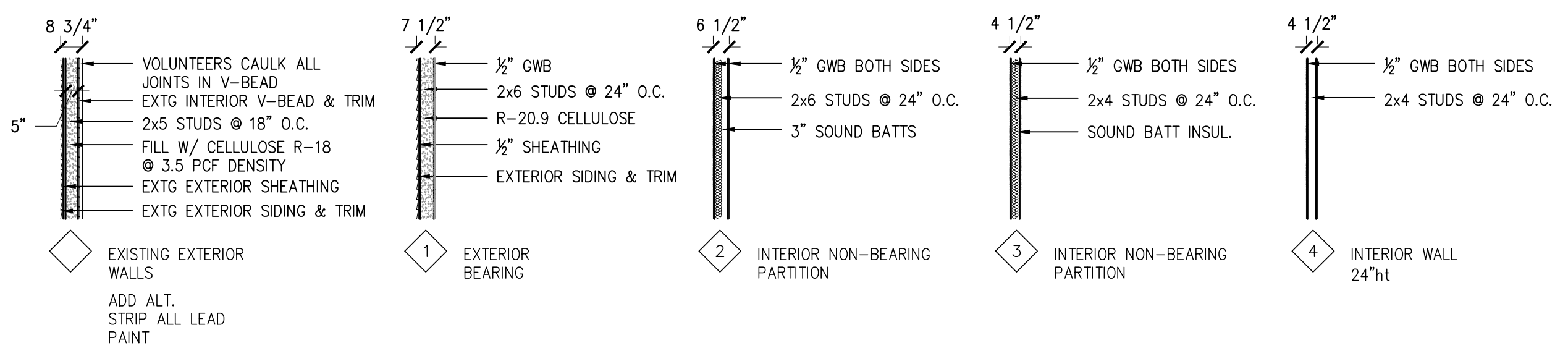
NORTH  
 SITE PLAN  
 1" = 10'

BASE BID INTERIOR RAMP: POUR 4"x12" RECESS IN SLAB WIDTH OF RAMP. INSTALL WOOD OVERBUILD FOR STAIR AND RAMP. ADD ALTERNATE - POUR CONCRETE STAIR AND RAMP WITH POLISHED SURFACE MATCHING REST OF SLAB. APPLY SEALER WITH SLIP RESISTANT GRIT ON RAMP.

FOUNDATION WALL ON EAST AND NORTH TO HAVE 9" STEM WALL ABOVE SLAB HEIGHT IN KITCHEN



**FLOOR PLAN**  
1/4" = 1'-0"



**WALL TYPES**  
1/4" = 1'-0"

Copyright 2019  
Guillot Vivian Viehmann  
Architects, Inc.  
All rights reserved.  
Ownership of Documents  
This document and the ideas and designs incorporated herein, as an instrument of professional service, is the property of Guillot Vivian Viehmann Architects and is not to be used, in whole or in part, for this or for any other project without the written authorization.

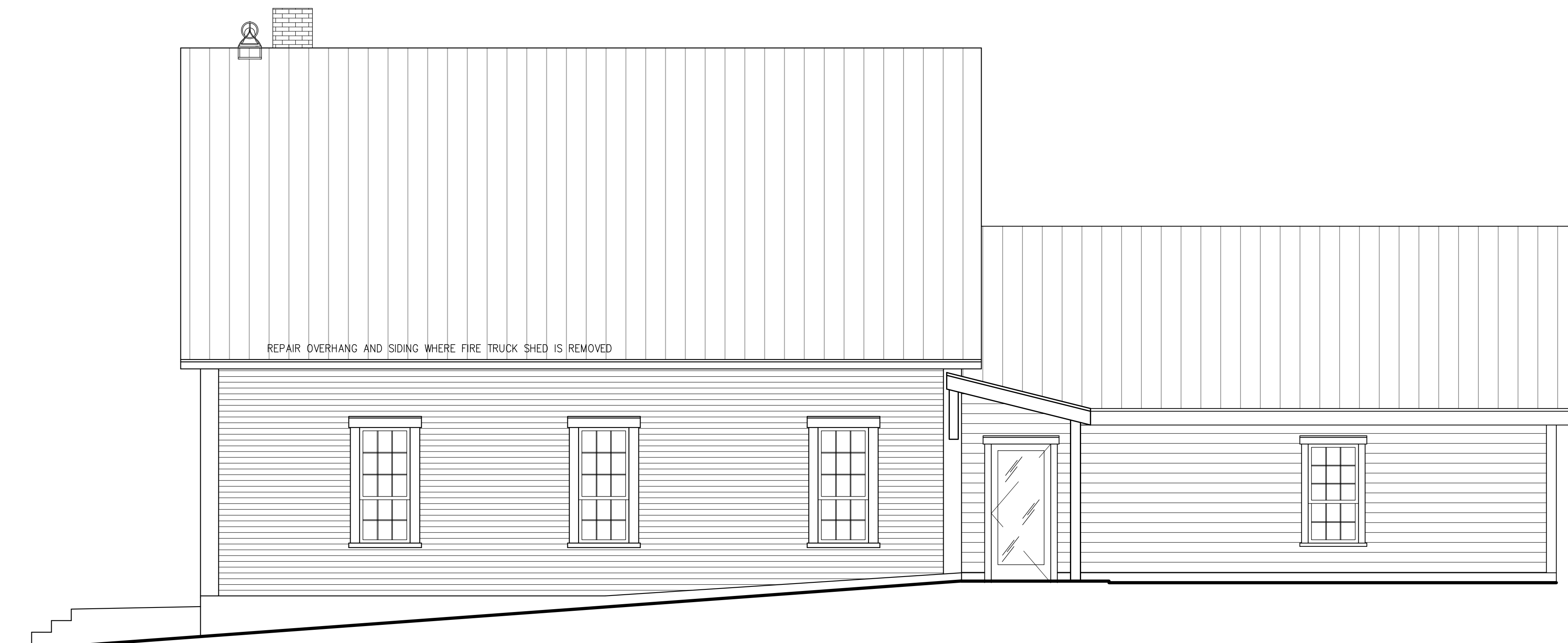
NOTES:

**Jerusalem Schoolhouse & #2 Fire Station**  
Jerusalem Road, Starksboro, Vermont  
GUILLOT VIVIAN VIEHMANN ARCHITECTS, INC. Burlington, VT 802-862-9631

DATE: 16 SEP 19  
REVISION: 00/00/00  
SCALE: 1/4" = 1'-0"  
DRAWING: FLOOR PLAN  
SHEET: A1.0



S SOUTH ELEVATION  
1/4" = 1'-0"



E EAST ELEVATION  
1/4" = 1'-0"



N NORTH ELEVATION  
1/4" = 1'-0"



W WEST ELEVATION  
1/4" = 1'-0"

Copyright 2019  
Guillot Vivian Viehmann  
Architects, Inc.  
All rights reserved.  
Ownership of Documents  
This document and the ideas and  
designs incorporated herein, as an  
instrument of professional service, is  
the property of Guillot Vivian Viehmann  
Architects and is not to be used, in  
whole or in part, for this or for any  
other project without the written  
authorization.

NOTES:

**Jerusalem Schoolhouse &  
#2 Fire Station**  
Jerusalem Road, Starksboro, Vermont  
GUILLOT VIVIAN VIEHMANN ARCHITECTS, INC. Burlington, VT 802-862-9631

DATE: 16 SEP 19  
REVISION: 00/00/00

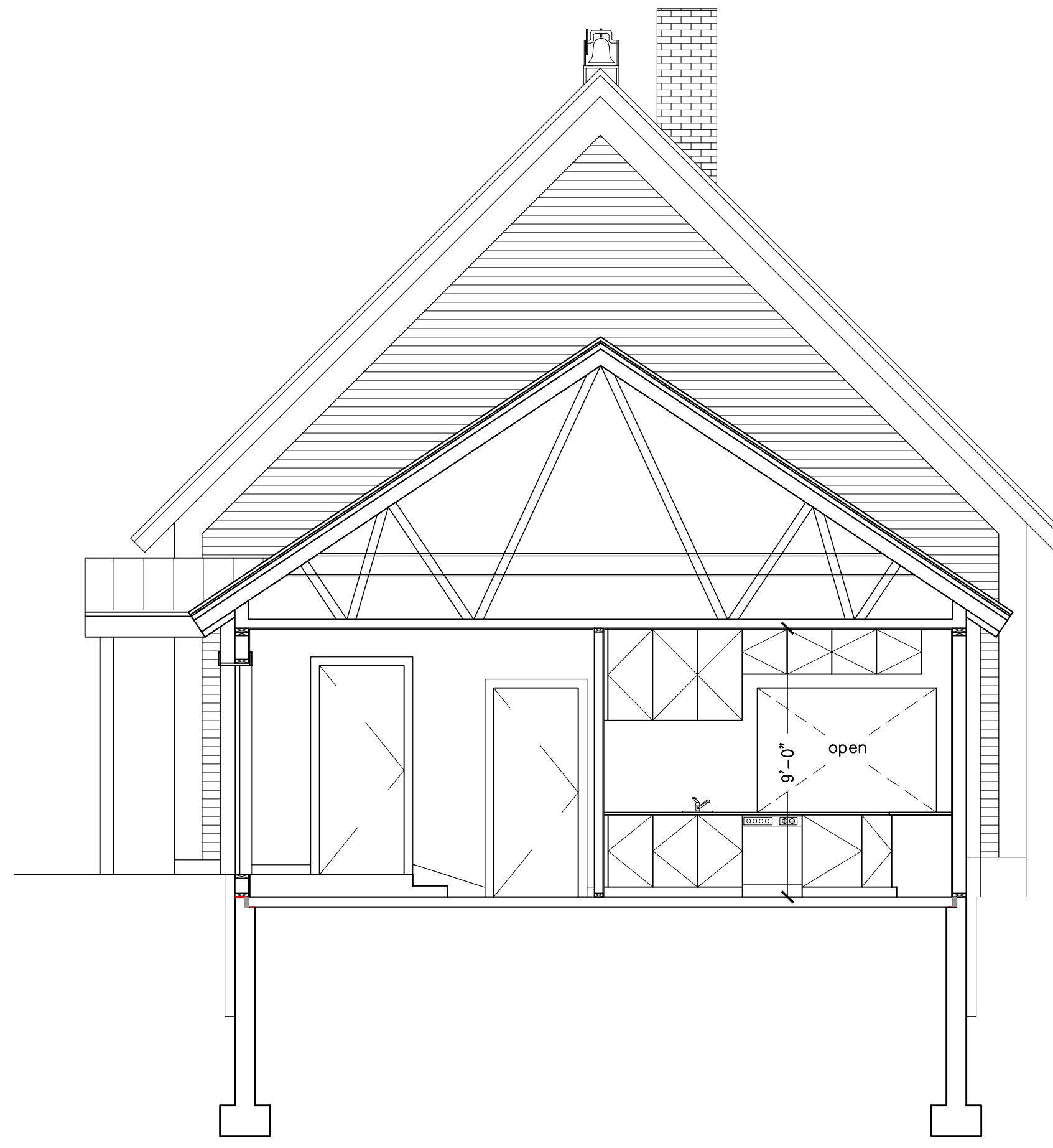
SCALE:  
1/4" = 1'-0"

DRAWING:  
EXTERIOR  
ELEVATIONS

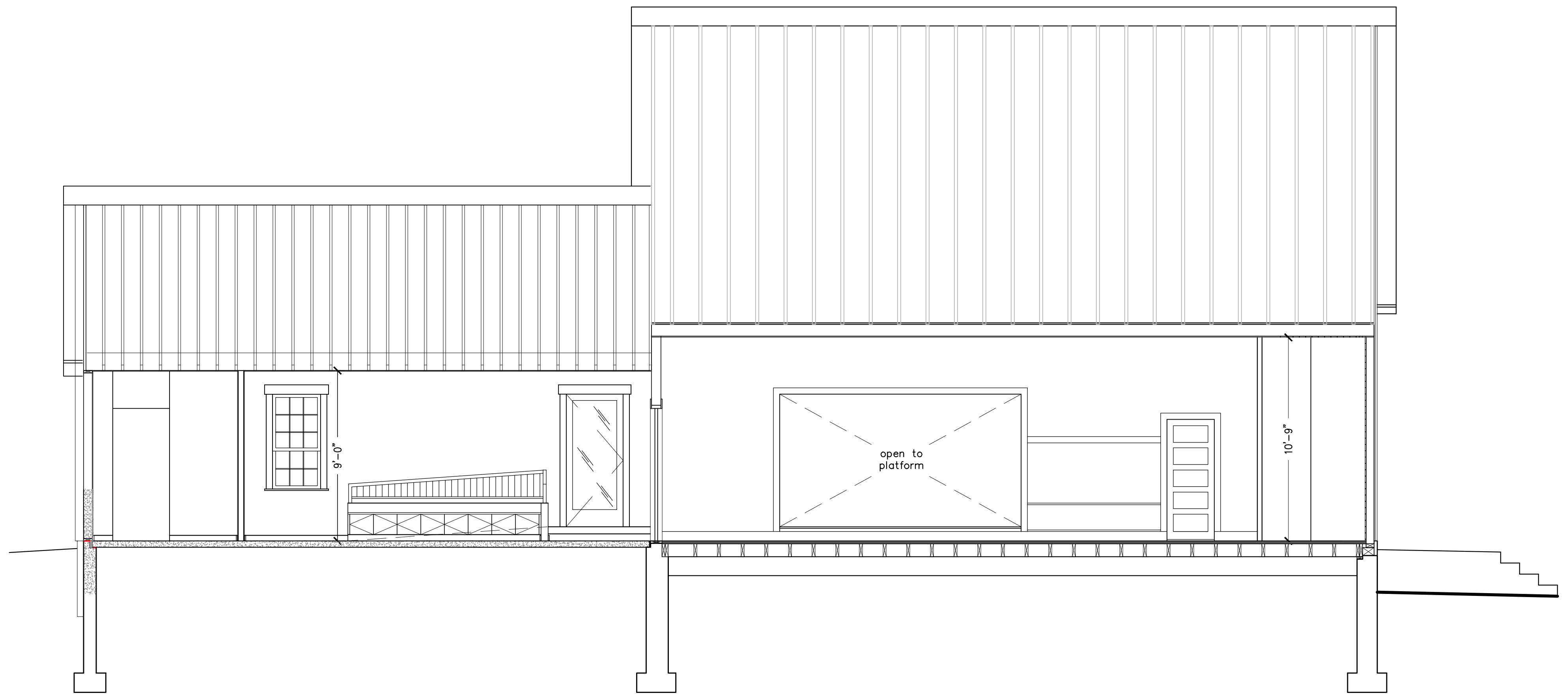
SHEET:  
**A2.0**

Copyright 2019  
 Guillot Vivian Viehmann  
 Architects, Inc.  
 All rights reserved.

Ownership of Documents  
 This document and the ideas and designs incorporated herein, as an instrument of professional service, is the property of Guillot Vivian Viehmann Architects and is not to be used, in whole or in part, for this or for any other project without the written authorization.

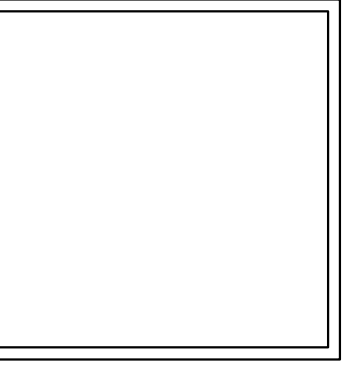


(A) BUILDING SECTION  
 1/4" = 1'-0"



(B) BUILDING SECTION  
 1/4" = 1'-0"

NOTES:



**Jerusalem Schoolhouse & #2 Fire Station**  
 Jerusalem Road, Starksboro, Vermont  
 GUILLOT VIVIAN VIEHMANN ARCHITECTS, INC. Burlington, VT 802-862-9631

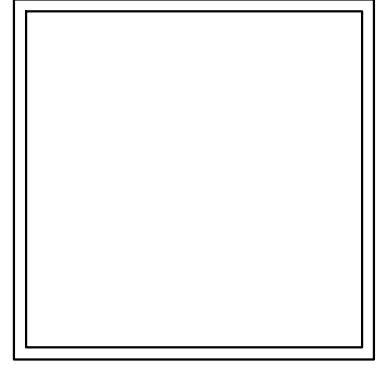
DATE: 16 SEP 19  
 REVISION:  $\Delta$  00/00/00

SCALE:  
 1/4" = 1'-0"

DRAWING:  
 BUILDING SECTIONS

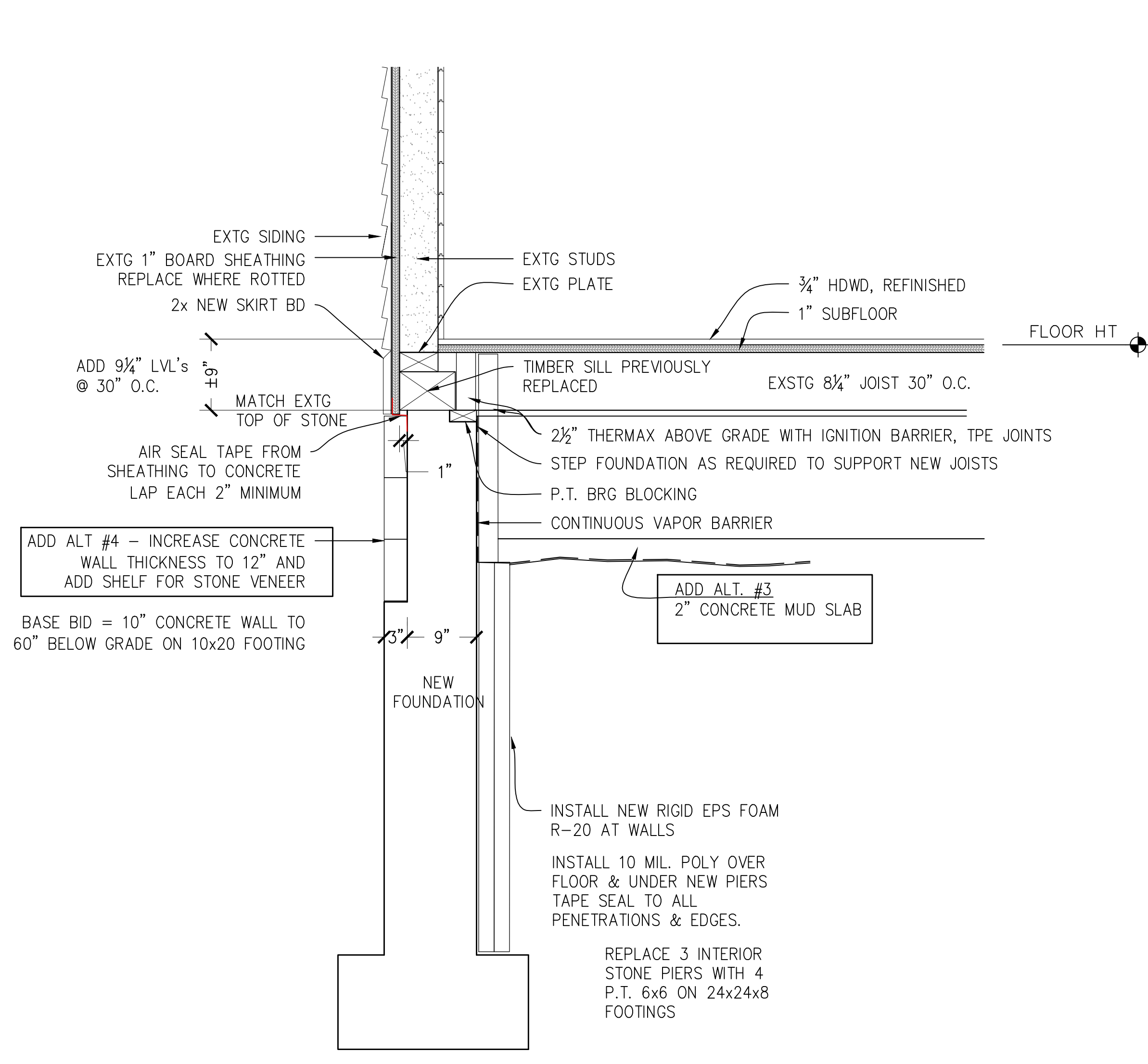
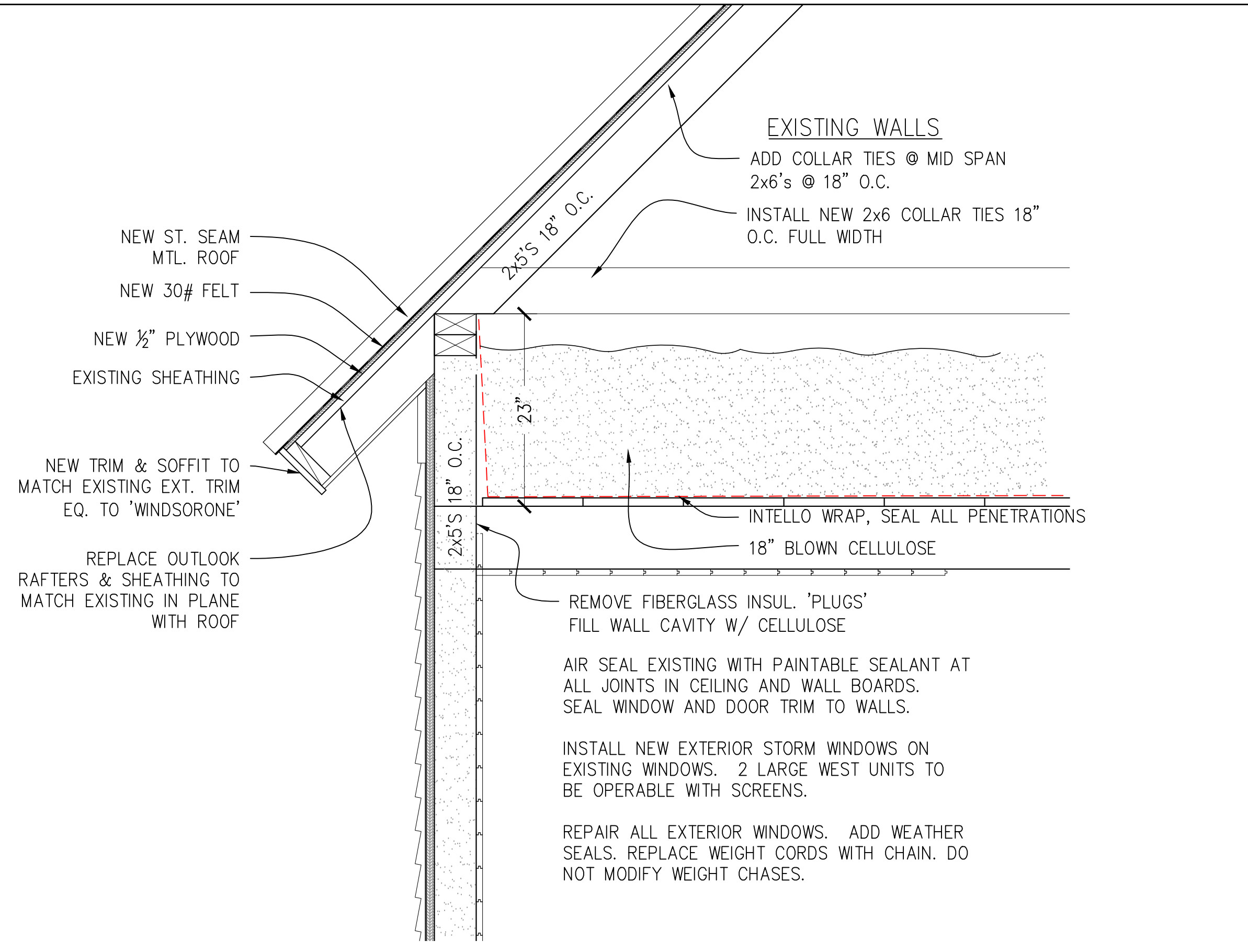
SHEET:  
**A3.0**

NOTES:

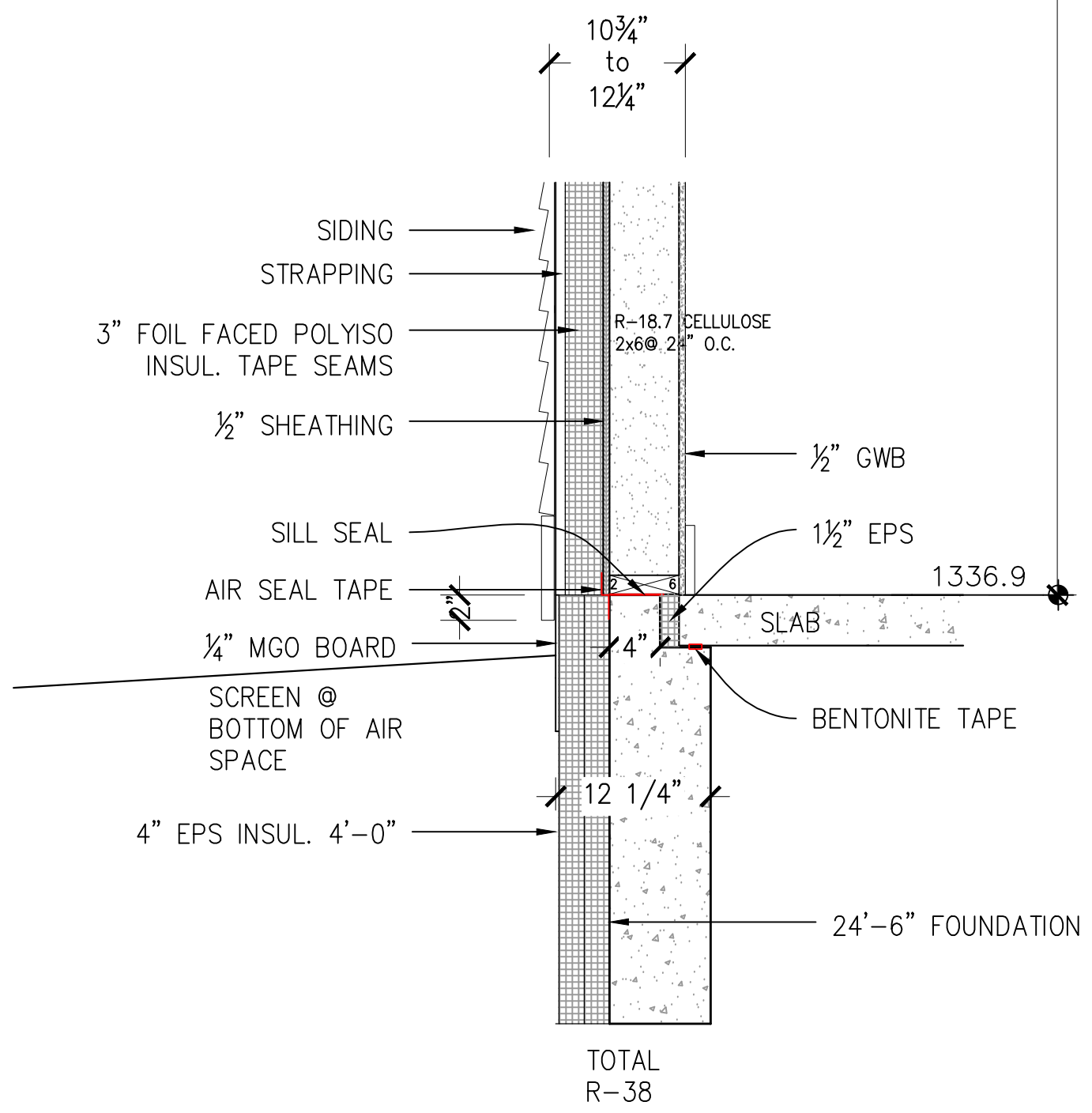
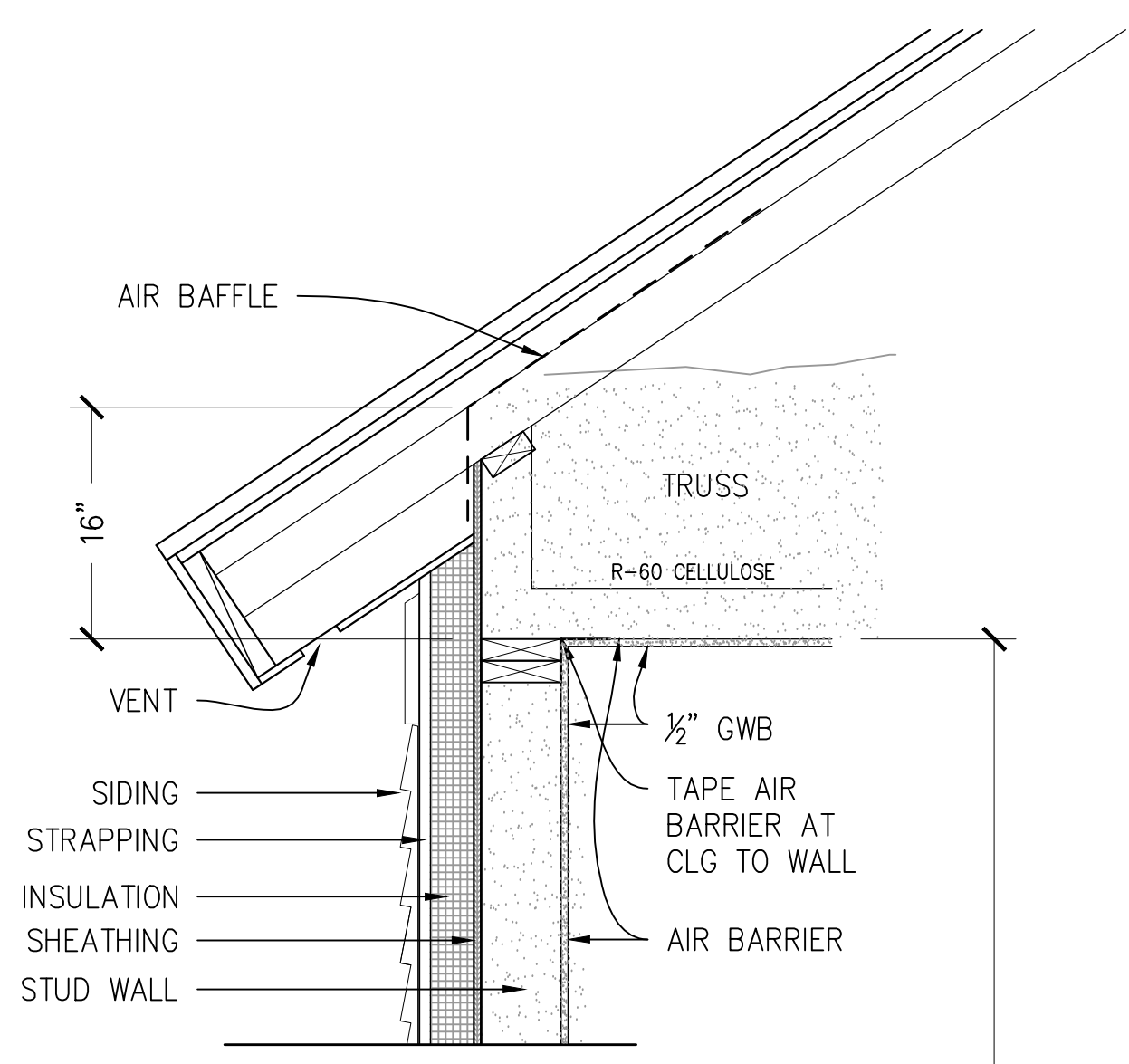


**Jerusalem Schoolhouse & #2 Fire Station**  
 Jerusalem Road, Starksboro, Vermont  
 GUILLOT VIVIAN VIEHMANN ARCHITECTS, INC. Burlington, VT 802-862-9631

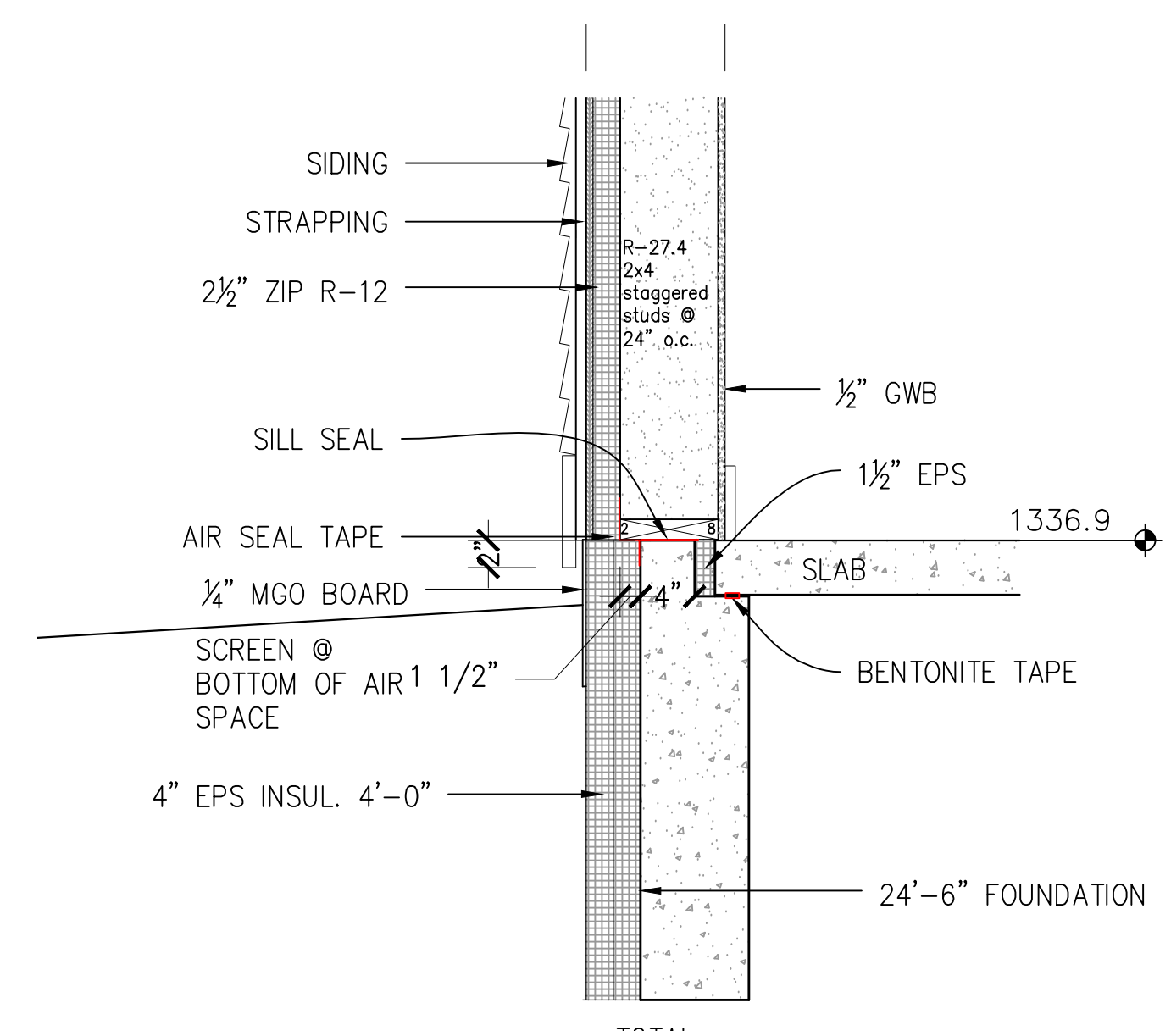
|           |               |
|-----------|---------------|
| DATE:     | 16 SEP 19     |
| REVISION: | 00/00/00      |
| SCALE:    | 1" = 1'-0"    |
| DRAWING:  | WALL SECTIONS |
| SHEET:    | A4.0          |



1 EXISTING WALL SECTION  
 1" = 1'-0"



2 NEW WALL SECTION  
 1" = 1'-0"



2a NEW WALL SECTION - ALT  
 1" = 1'-0"